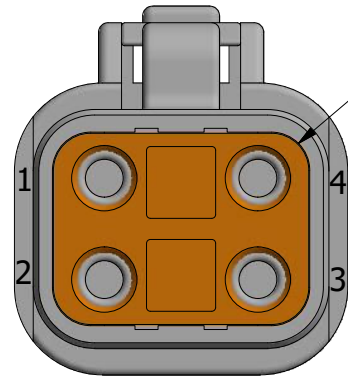
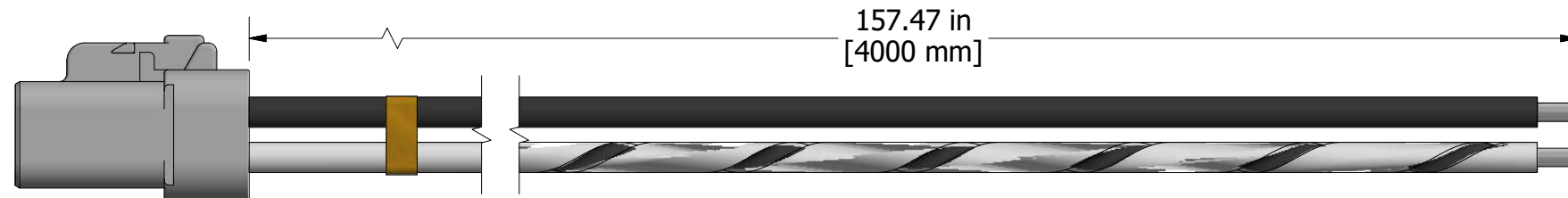
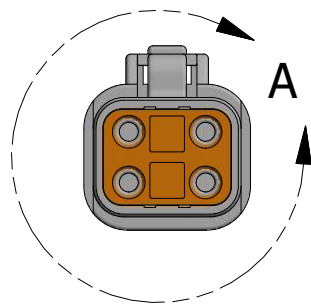
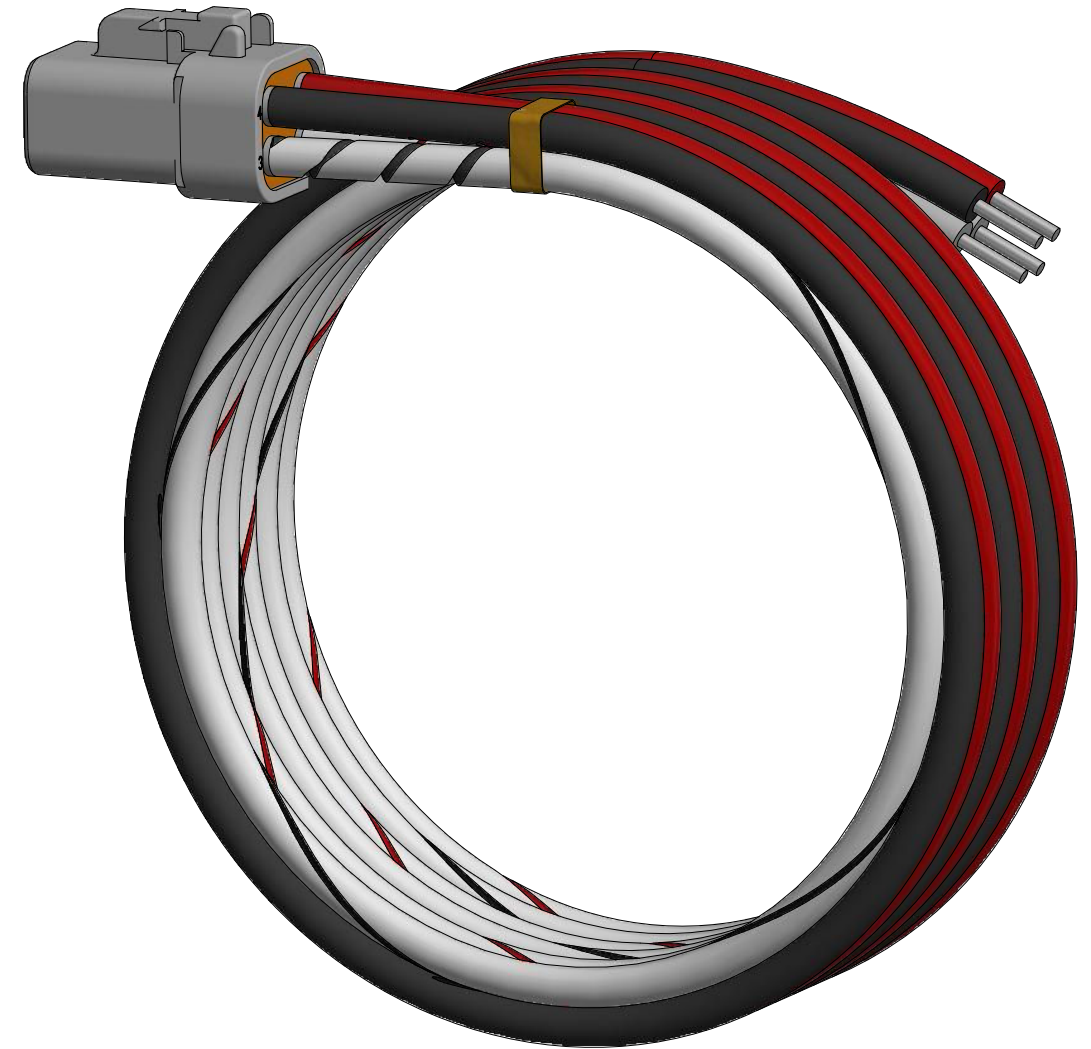


REVISION HISTORY			
REV	DESCRIPTION	DATE	APPROVED
P1-D1	INITIAL RELEASE	2022-06-17	GDV



DETAIL A
SCALE 2 : 1

- PIN 1: INPUT + [4M OF 12AWG WIRE HARNESS UNTERMINATED LEAD WIRE, RED COLOR]
- PIN 2: OUTPUT + [4M OF 12AWG WIRE HARNESS UNTERMINATED LEAD WIRE, WHITE-RED COLOR]
- PIN 3: OUTPUT - [4M OF 12AWG WIRE HARNESS UNTERMINATED LEAD WIRE, WHITE-BLACK COLOR]
- PIN 4 : INPUT - [4M OF 12AWG WIRE HARNESS UNTERMINATED LEAD WIRE, BLACK]



<small>PROPRIETARY</small> THE INFORMATION CONTAINED IN THIS DRAWING IS CONFIDENTIAL AND PROPRIETARY AND REMAINS THE EXCLUSIVE PROPERTY OF AXIOMATIC TECHNOLOGIES CORPORATION. THIS DRAWING MAY NOT BE USED, REPRODUCED IN WHOLE OR IN PART, NOR REVEALED TO OTHERS WITHOUT THE PRIOR WRITTEN CONSENT OF AXIOMATIC TECHNOLOGIES CORPORATION. BY ACCEPTANCE OF THIS DRAWING, THE BEARER AGREES TO THESE CONDITIONS.						<small>AXIOMATIC TECHNOLOGIES CORPORATION</small> 5915 WALLACE ST. MISSISSAUGA, ON CANADA L4Z 1Z8 905-602-9270	
MATERIAL NA	DRAWN HS	DATE 2022-06-17	TITLE WIRE HARNESS, DTP06-4S ASSEMBLY, 4 METERS, 12 AWG, UNTERMINATED CABLE				
FINISH NA	CHECKED	DATE	DWG REV D1	DWG NO WH-DTP06-4S-S-4M-MD	PART REV P1		
THIRD ANGLE PROJECTION	TOOL INVENTOR SIZE B	APPROVED	DATE	SCALE 1 : 1	PART NO WH-DTP06-4S-S-4M	SHEET 1 of 1	