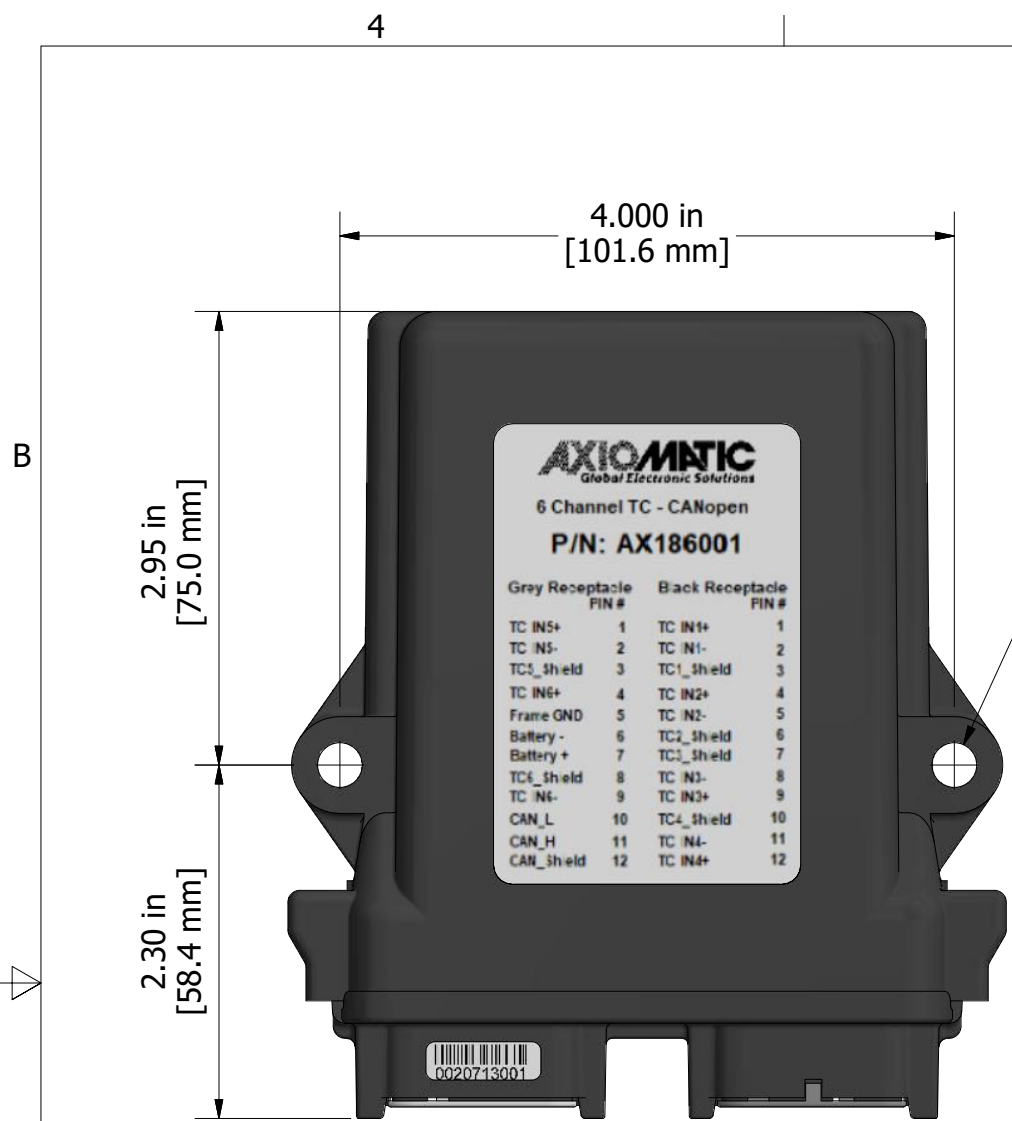
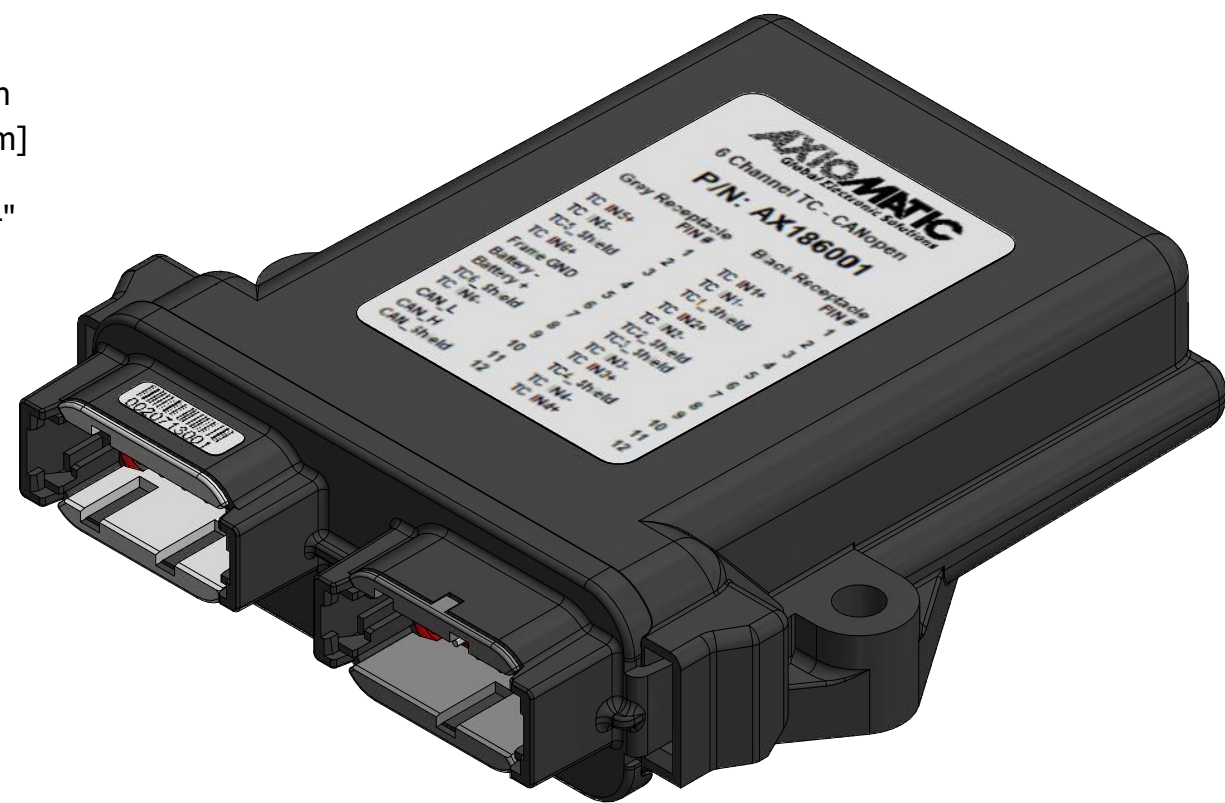


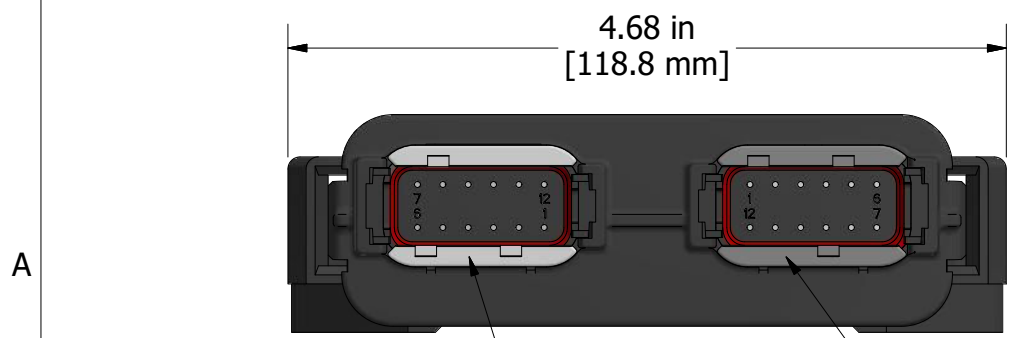
REVISION HISTORY			
REV	DESCRIPTION	DATE	APPROVED
P1-D1	PRODUCTION PILOT	2020-1-27	GDV
A-D1	RELEASED TO PRODUCTION (RFA20-0034)	2020-3-13	GDV
A-D1	PCB UPDATED	2020-07-21	GDV



Ø0.291 in [Ø7.39 mm] to suit an M6 or 1/4" bolt (2)

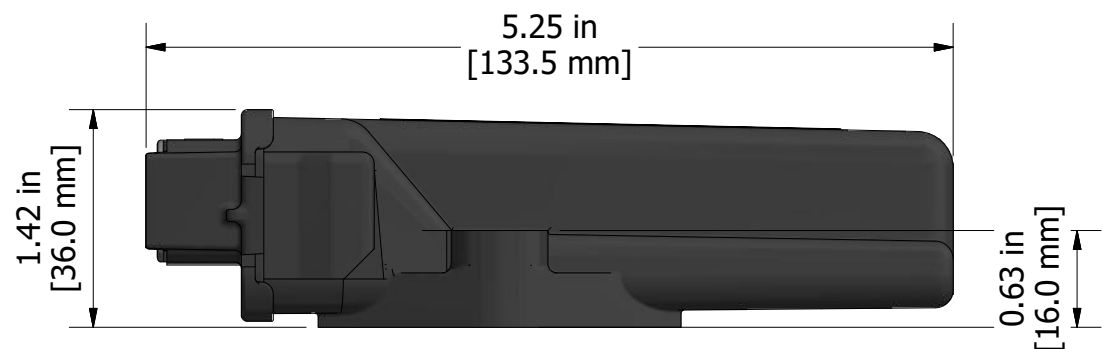


**Unit Label**



Gray receptacle keyed "A" mates with DTM06-12SA

Black receptacle keyed "B" mates with DTM06-12SB



DIMENSIONS ARE IN INCHES UNLESS OTHERWISE SPECIFIED IN DRAWING TOLERANCE ON:		MATERIAL NA		DRAWN EL	DATE 2020-01-27	TITLE Six Channel Thermocouple Module, CANopen		
FABRICATION X.XXX ±0.015 X.XX ±0.01 X.X ±0.1 ANGLES ±1.0	MACHINING X.XXX ±0.005 X.XX ±0.01 X.X ±0.1 ANGLES ±1.0	FINISH NA	THIRD ANGLE PROJECTION	CHECKED TF	DATE 2020-03-11	DWG REV D1	DWG NO AX186001-MD	PART REV A
		INVENTOR SIZE B	TOOL	APPROVED GDV	DATE 2020-03-11	SCALE 0.8	PART NO AX186001	SHEET 1 of 1

PROPRIETARY  
 THE INFORMATION CONTAINED IN THIS DRAWING IS CONFIDENTIAL AND PROPRIETARY AND REMAINS THE EXCLUSIVE PROPERTY OF AXIOMATIC TECHNOLOGIES CORPORATION. THIS DRAWING MAY NOT BE USED, REPRODUCED IN WHOLE OR IN PART, NOR REVEALED TO OTHERS WITHOUT THE PRIOR WRITTEN CONSENT OF AXIOMATIC TECHNOLOGIES CORPORATION. BY ACCEPTANCE OF THIS DRAWING, THE BEARER AGREES TO THESE CONDITIONS.

AXIOMATIC  
 Global Electronic Solutions  
 AXIOMATIC TECHNOLOGIES CORPORATION  
 5915 WALLACE ST.  
 MISSISSAUGA, ON  
 CANADA L4Z 1Z8  
 905-602-9270