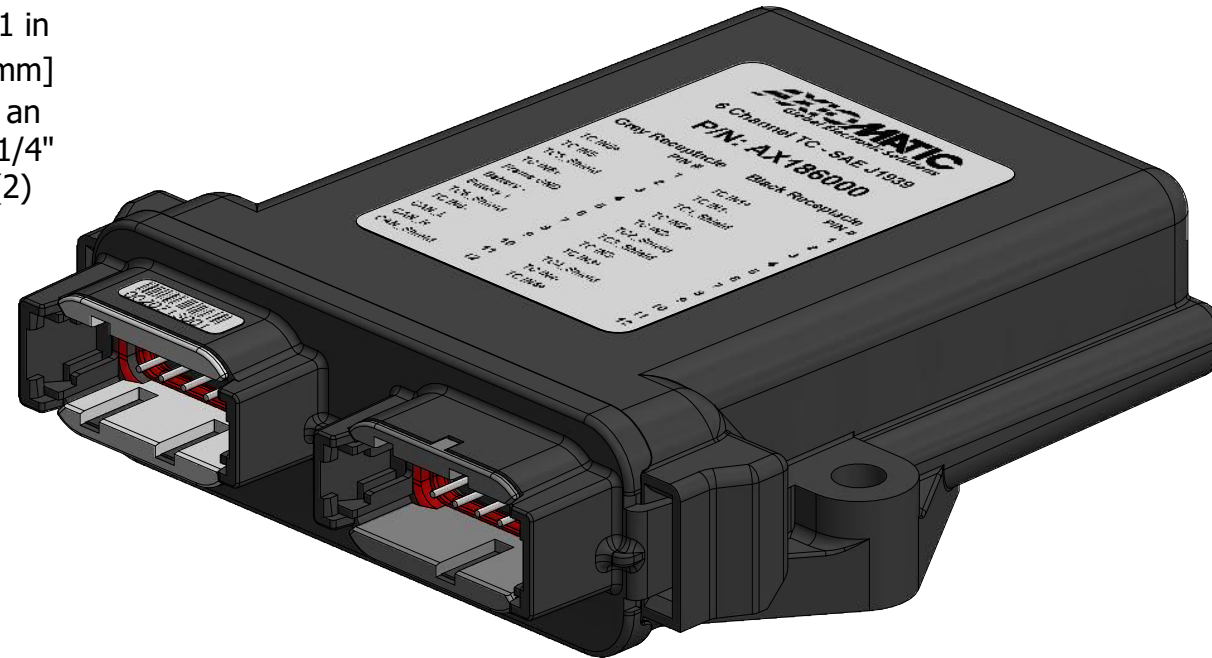
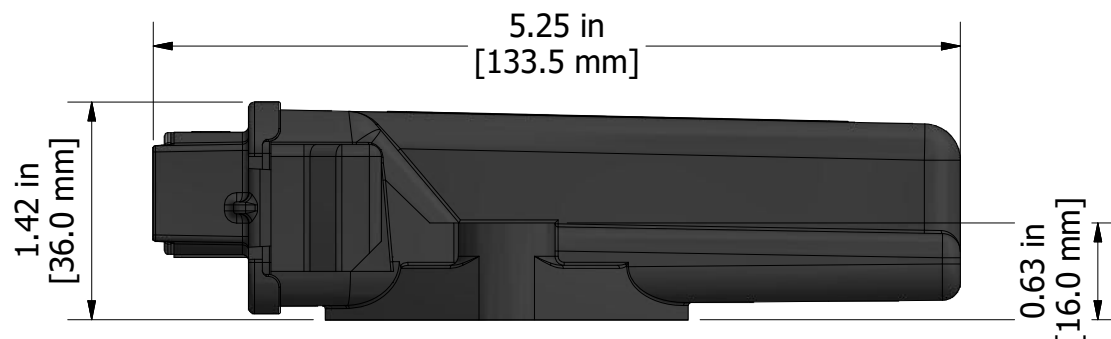
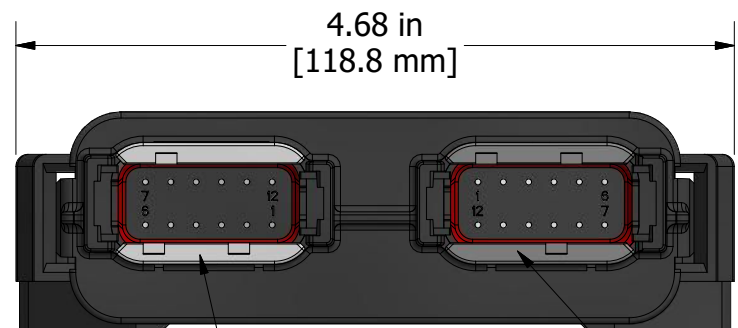


Ø0.291 in [7.39 mm] to suit an M6 or 1/4" bolt (2)



Unit Label



REVISION HISTORY			
REV	DESCRIPTION	DATE	APPROVED
P1-D1	PRODUCTION PILOT	2020-1-22	GDV
A-D1	RELEASED TO PRODUCTION (RFA20-0039)	2020-3-13	GDV
A-D1	PCB UPDATED	2020-07-21	GDV

DIMENSIONS ARE IN INCHES UNLESS OTHERWISE SPECIFIED IN DRAWING TOLERANCE ON: FABRICATION X.XXX ± 0.015 X.XX ± 0.01 X.X ± 0.1 ANGLES ± 1.0 MACHINING X.XXX ± 0.005 X.XX ± 0.01 X.X ± 0.1 ANGLES ± 1.0		MATERIAL NA FINISH NA THIRD ANGLE PROJECTION 	DRAWN EL CHECKED TF APPROVED GDV INVENTOR SIZE B	DATE 2020-01-22 DATE 2020-03-11 DATE 2020-03-11	TITLE Six Channel Thermocouple Module, J1939 DWG REV D1 SCALE 0.8	DWG NO AX186000-MD PART NO AX186000	PART REV A SHEET 1 of 1
--	--	--	---	---	---	--	----------------------------

PROPRIETARY
 THE INFORMATION CONTAINED IN THIS DRAWING IS CONFIDENTIAL AND PROPRIETARY AND REMAINS THE EXCLUSIVE PROPERTY OF AXIOMATIC TECHNOLOGIES CORPORATION. THIS DRAWING MAY NOT BE USED, REPRODUCED IN WHOLE OR IN PART, NOR REVEALED TO OTHERS WITHOUT THE PRIOR WRITTEN CONSENT OF AXIOMATIC TECHNOLOGIES CORPORATION. BY ACCEPTANCE OF THIS DRAWING, THE BEARER AGREES TO THESE CONDITIONS.

AXIOMATIC
Global Electronic Solutions
 AXIOMATIC TECHNOLOGIES CORPORATION
 5915 WALLACE ST.
 MISSISSAUGA, ON
 CANADA L4Z 1Z8
 905-602-9270