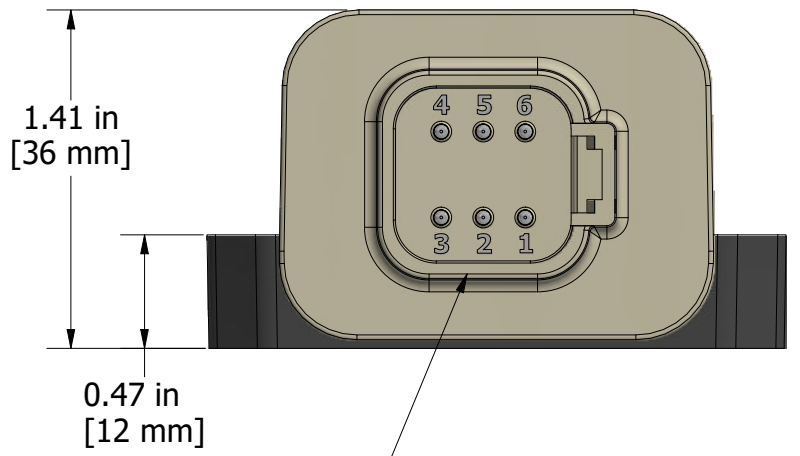
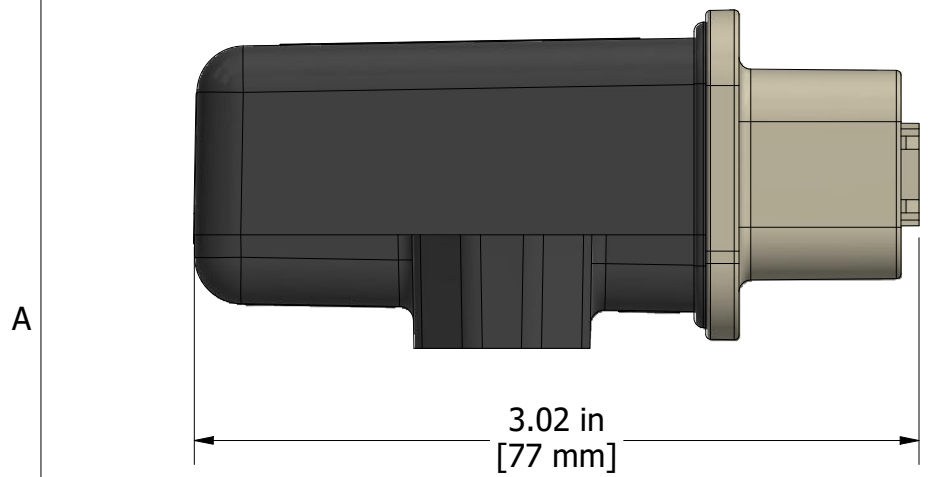
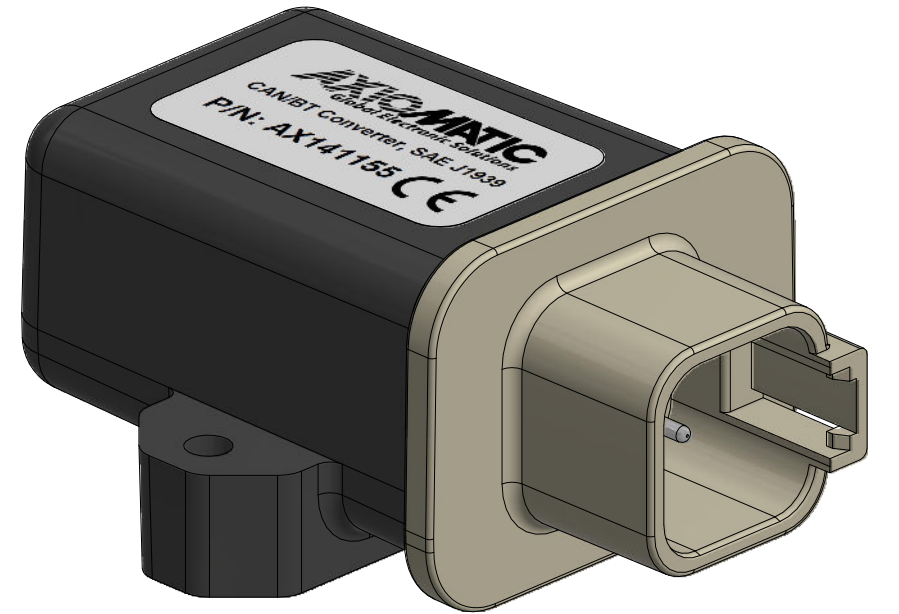
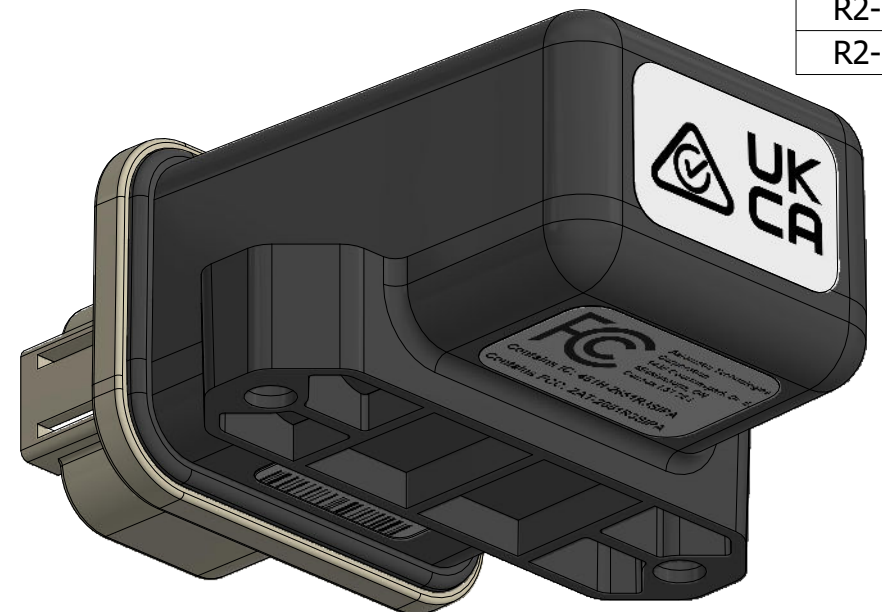
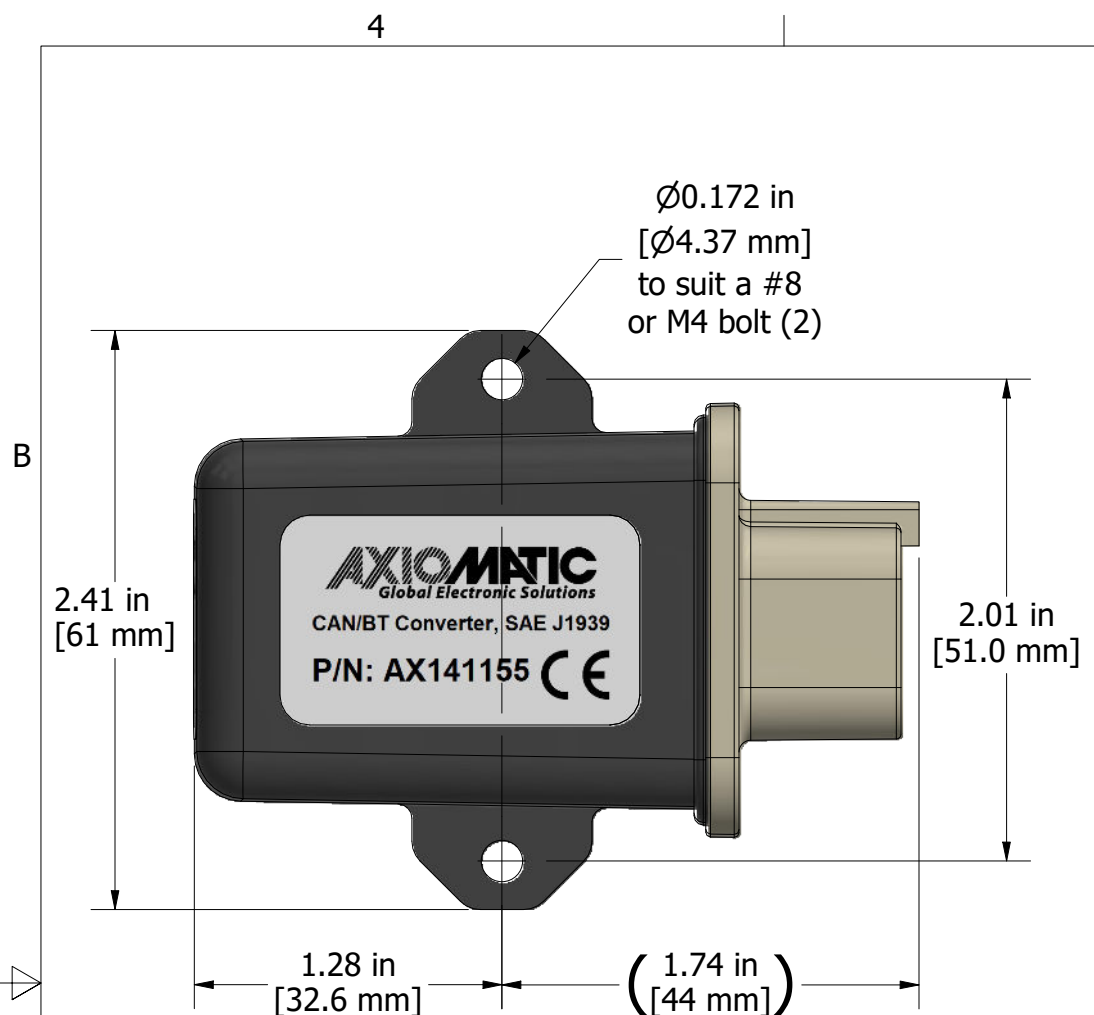


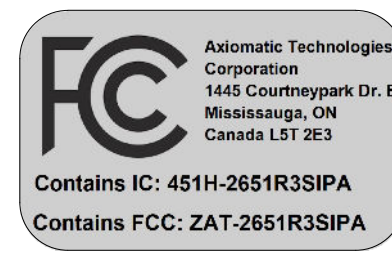
REVISION HISTORY			
REV	DESCRIPTION	DATE	APPROVED
R1-D1	PRODUCTION PILOT	June 7-2023	GDV
R2-D1	PCB updates	April 2-2024	GDV
R2-D2	updated FCC label	May 6-2024	GDV



TE Deutsch DT04-6P molded in receptacle mates with DT06-6S all variations



UK compliance label



FCC ID label



unit label

<small>PROPRIETARY</small> THE INFORMATION CONTAINED IN THIS DRAWING IS CONFIDENTIAL AND PROPRIETARY AND REMAINS THE EXCLUSIVE PROPERTY OF AXIOMATIC TECHNOLOGIES CORPORATION. THIS DRAWING MAY NOT BE USED, REPRODUCED IN WHOLE OR IN PART, NOR REVEALED TO OTHERS WITHOUT THE PRIOR WRITTEN CONSENT OF AXIOMATIC TECHNOLOGIES CORPORATION. BY ACCEPTANCE OF THIS DRAWING, THE BEARER AGREES TO THESE CONDITIONS.						<small>AXIOMATIC TECHNOLOGIES CORPORATION</small> 1445 Courtneypark Dr. MISSISSAUGA, ON CANADA L5T 2E3 905-602-9270		
DIMENSIONS ARE IN mm UNLESS OTHERWISE SPECIFIED IN DRAWING TOLERANCE ON:		MATERIAL NA	DRAWN TF	DATE 2023-07-11	TITLE CAN to Bluetooth Converter, laser welded housing			
X.X ± 0.5 X ± 1	FINISH NA	THIRD ANGLE PROJECTION	TOOL INVENTOR SIZE B	CHECKED TF	DATE	DWG REV D2	DWG NO AX141155-MD	PART REV 2
ANGLES ± 1.0		APPROVED GDV	DATE	SCALE 1.25	PART NO AX141155	SHEET 1 of 1		

4

3

2

1