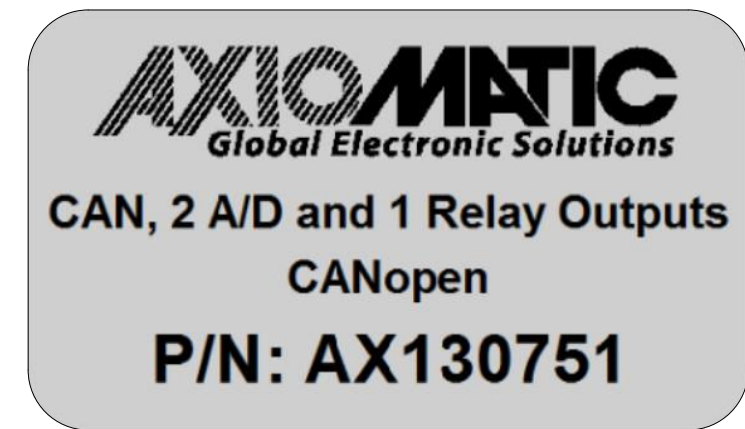
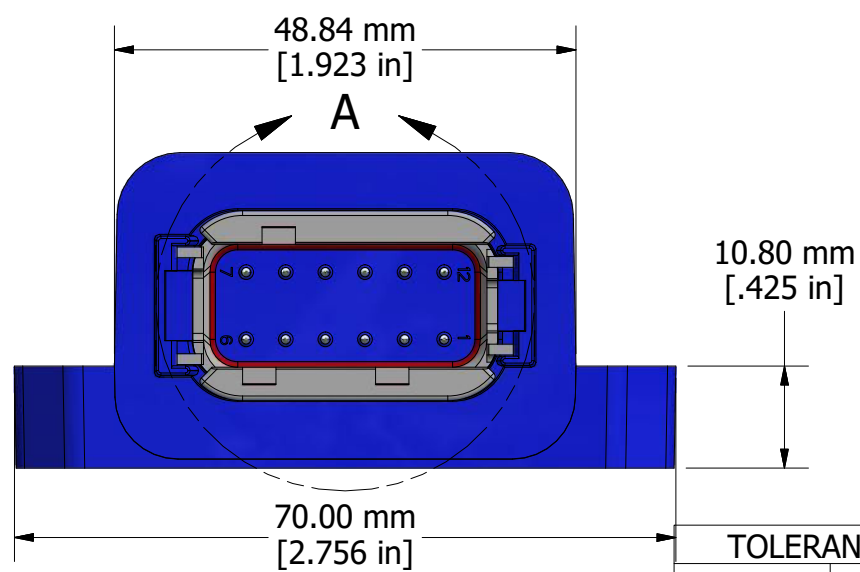
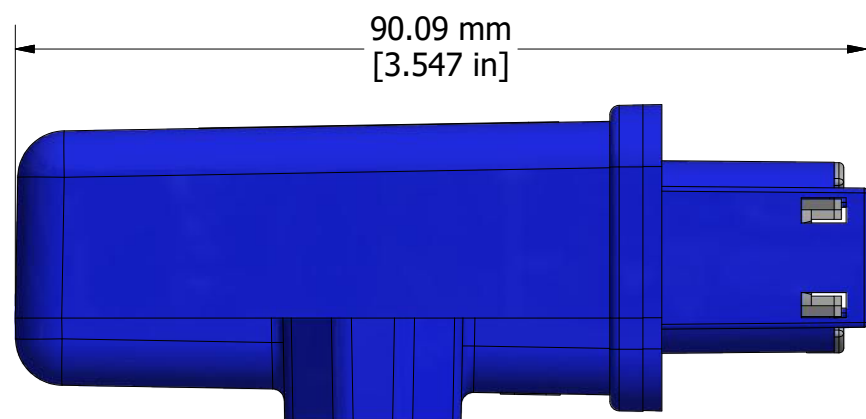
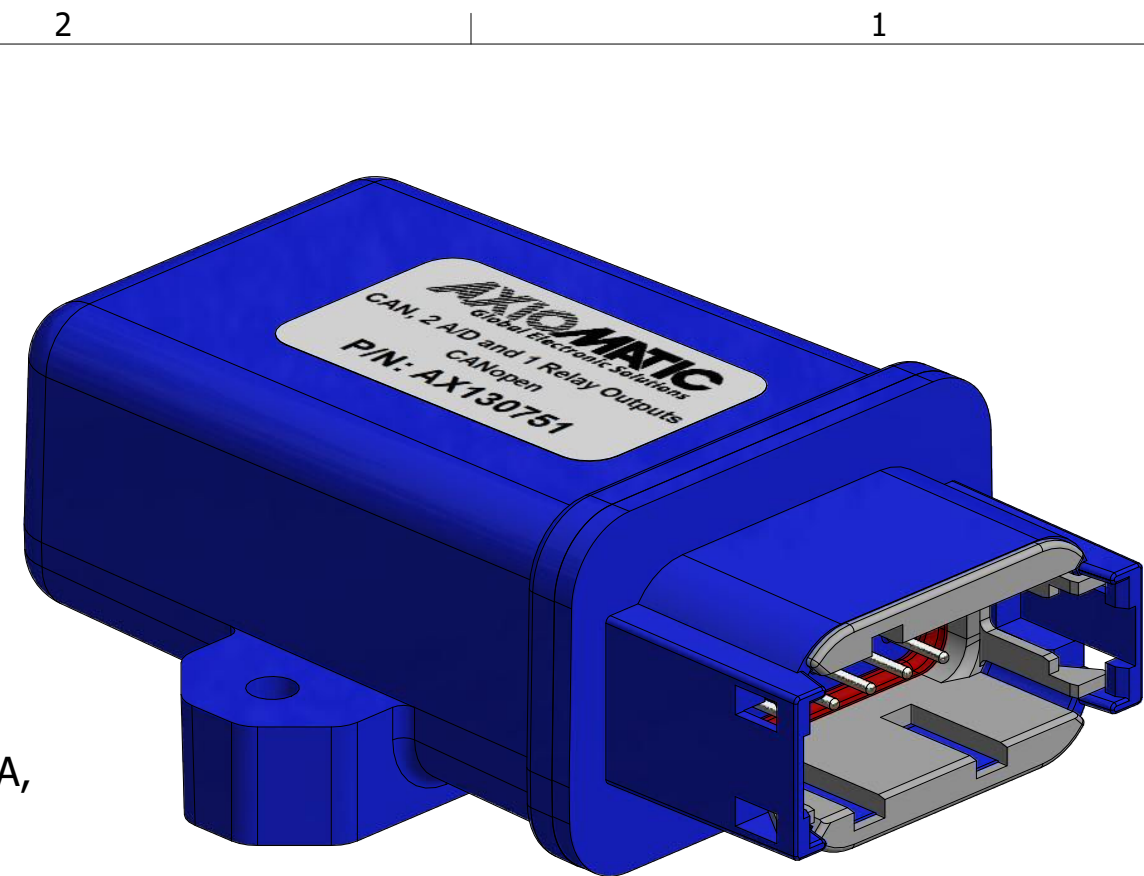


DETAIL A
molded in TE Deutsch receptacle DTM04-12PA,
mates with DTM06-12SA

connector pin assignment			
PIN	FUNCTION	PIN	FUNCTION
1	NC	7	BATT +
2	-	8	BATT -
3	OUTGND 1	9	AD OUT 2
4	OUTGND 2	10	AD OUT 1
5	CAN_H	11	C
6	CAN_L	12	NO



label detail

TOLERANCES	
fabrication	machining
X.XXX +/- 0.015	X.XXX +/- 0.001
X.XX +/- 0.031	X.XX +/- 0.005
X.X +/- 0.031	X.X +/- 0.015
fractional +/- 0.031	fractional +/- 0.031

<small>PROPRIETARY</small> <small>THE INFORMATION CONTAINED IN THIS DRAWING IS CONFIDENTIAL AND PROPRIETARY AND REMAINS THE EXCLUSIVE PROPERTY OF AXIOMATIC TECHNOLOGIES CORPORATION. THIS DRAWING MAY NOT BE USED, REPRODUCED IN WHOLE OR IN PART, NOR REVEALED TO OTHERS WITHOUT THE PRIOR WRITTEN CONSENT OF AXIOMATIC TECHNOLOGIES CORPORATION. BY ACCEPTANCE OF THIS DRAWING, THE BEARER AGREES TO THESE CONDITIONS.</small>		<small>AXIOMATIC TECHNOLOGIES CORPORATION</small> <small>5915 WALLACE ST.</small> <small>MISSISSAUGA, ON</small> <small>CANADA L4Z1Z8</small> <small>905-602-9270</small>	
MATERIAL	DRAWN	DATE	TITLE
injection molded glass filled PA66 ultrasonically welded	TF	2019-11-18	Dual Analog, Single Relay Output, CANopen
	CHECKED	DATE	DWG REV
	DL		D1
	APPROVED	DATE	DWG NO
	DL		AX130751-MD
			PART NO
			AX130751
			SHEET
			1 of 1