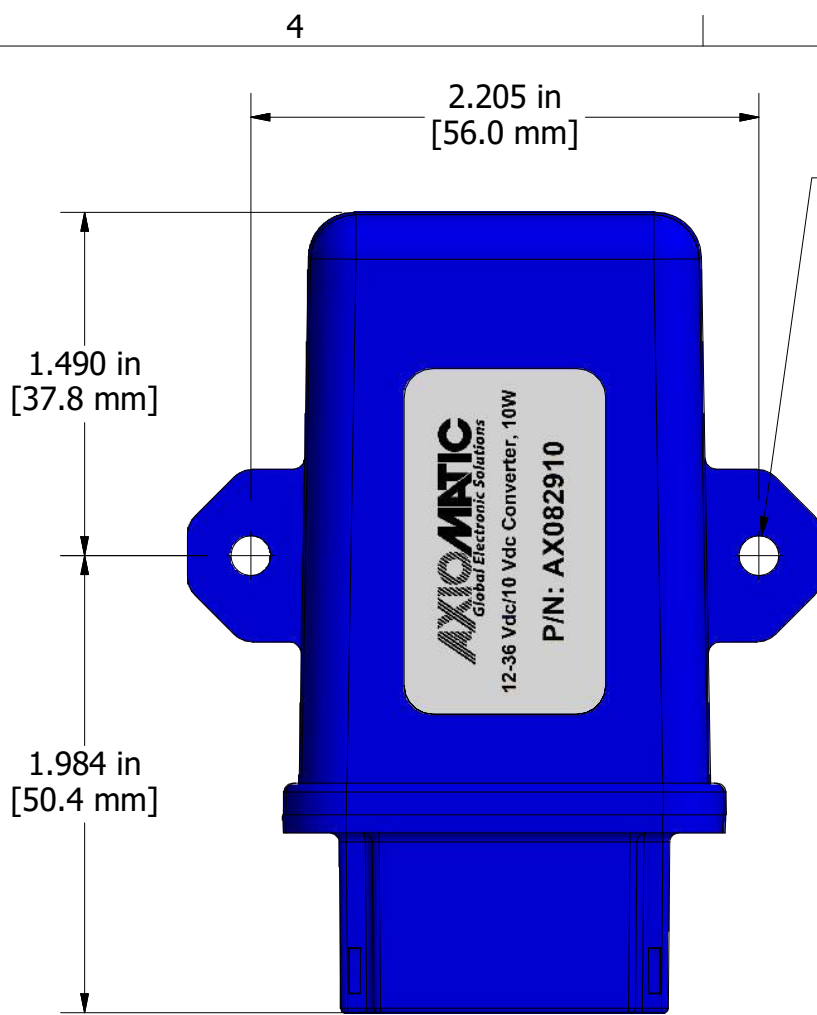
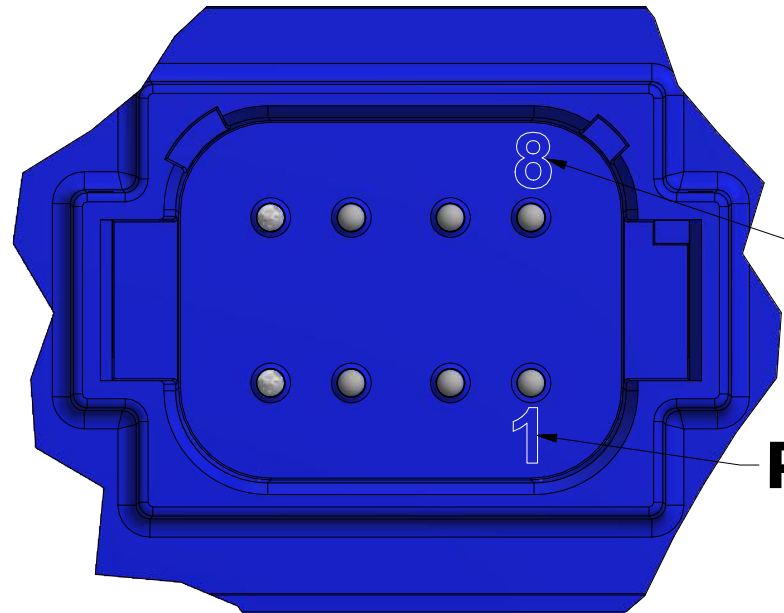


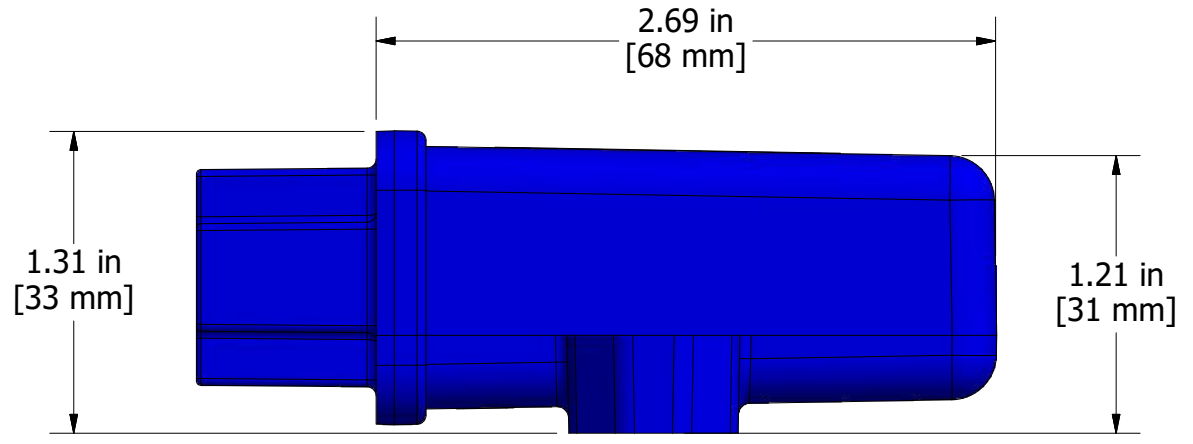
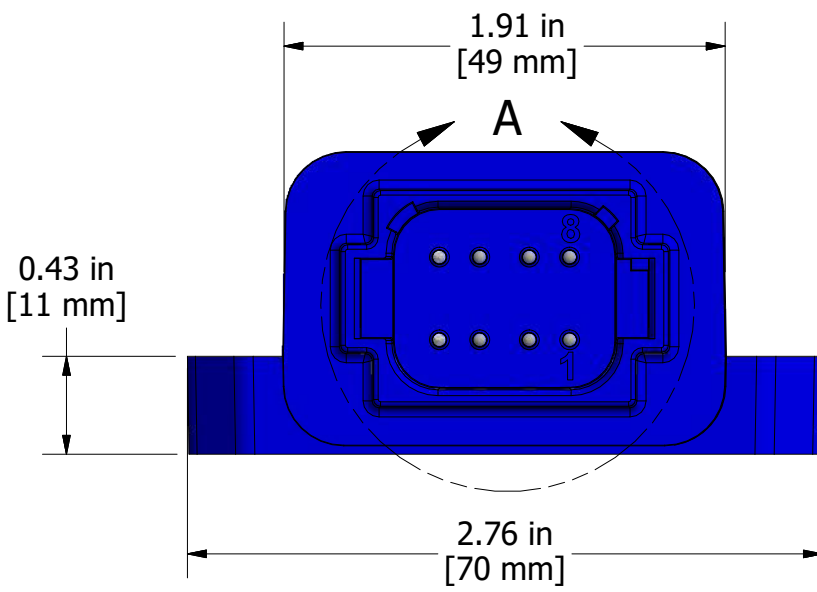
REVISION HISTORY			
REV	DESCRIPTION	DATE	APPROVED
P1-D1	INITIAL RELEASE	2021-07-07	GDV



Ø0.172 in
[Ø4.4 mm]
To suit an M4 or
#8 bolt (2 places)



DETAIL A
Molded in TE Deutsch DT04-08PA receptacle
mates with DT06-08SA.



Unit Label

NOTE: The tolerances for all the dimensions encountered in this drawing are +/- 0.95 mm

<small>PROPRIETARY</small> THE INFORMATION CONTAINED IN THIS DRAWING IS CONFIDENTIAL AND PROPRIETARY AND REMAINS THE EXCLUSIVE PROPERTY OF AXIOMATIC TECHNOLOGIES CORPORATION. THIS DRAWING MAY NOT BE USED, REPRODUCED IN WHOLE OR IN PART, NOR REVEALED TO OTHERS WITHOUT THE PRIOR WRITTEN CONSENT OF AXIOMATIC TECHNOLOGIES CORPORATION. BY ACCEPTANCE OF THIS DRAWING, THE BEARER AGREES TO THESE CONDITIONS.				<small>AXIOMATIC TECHNOLOGIES CORPORATION 5915 WALLACE ST. MISSISSAUGA, ON CANADA L4Z 1Z8 905-602-9270</small>			
MATERIAL NA	DRAWN EL	DATE 2021-07-07	TITLE 10V SENSOR POWER SUPPLY				
FINISH NA	CHECKED	DATE	DWG REV D1	DWG NO AX082910-MD	PART REV P1		
THIRD ANGLE PROJECTION	TOOL INVENTOR SIZE B	APPROVED	DATE	SCALE 1.2	PART NO AX082910		
				SHEET 1 of 2			

10V SENSOR POWER SUPPLY PINOUT

CONNECTOR PIN ASSIGNMENT			
PIN	FUNCTION	PIN	FUNCTION
1	NOT USED	5	V IN+
2	NOT USED	6	V IN-
3	NOT USED	7	V OUTPUT-
4	NOT USED	8	V OUTPUT+

PROPRIETARY THE INFORMATION CONTAINED IN THIS DRAWING IS CONFIDENTIAL AND PROPRIETARY AND REMAINS THE EXCLUSIVE PROPERTY OF AXIOMATIC TECHNOLOGIES CORPORATION. THIS DRAWING MAY NOT BE USED, REPRODUCED IN WHOLE OR IN PART, NOR REVEALED TO OTHERS WITHOUT THE PRIOR WRITTEN CONSENT OF AXIOMATIC TECHNOLOGIES CORPORATION. BY ACCEPTANCE OF THIS DRAWING, THE BEARER AGREES TO THESE CONDITIONS.				AXIOMATIC TECHNOLOGIES CORPORATION 5915 WALLACE ST. MISSISSAUGA, ON CANADA L4Z 1Z8 905-602-9270			
MATERIAL NA		DRAWN EL	DATE 2021-07-07	TITLE 10V SENSOR POWER SUPPLY			
FINISH NA		CHECKED	DATE	DWG REV D1	DWG NO AX082910-MD	PART REV P1	
THIRD ANGLE PROJECTION 	TOOL INVENTOR SIZE B	APPROVED	DATE	SCALE 1	PART NO AX082910	SHEET 2 of 2	