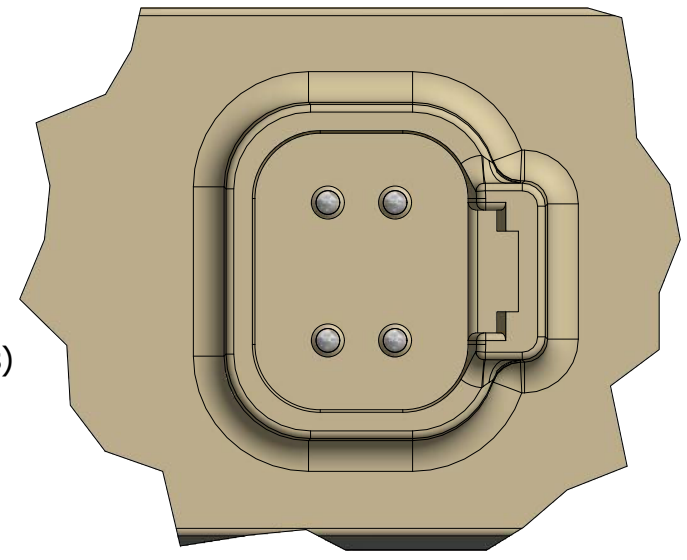


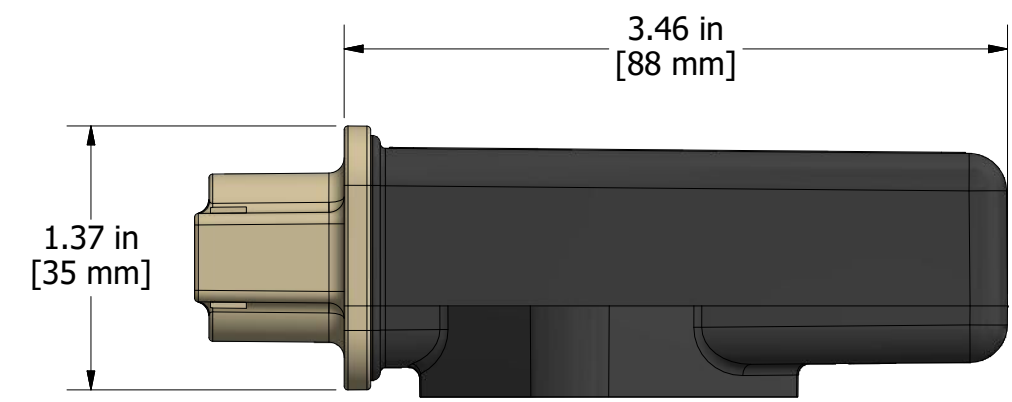
3

**DETAIL A**



Ø0.217 in  
[Ø5.5 mm]  
To suit an M5 or  
#10 bolt (2 places)

Molded following TE Deutsch receptacle, based on DT04-4P.  
Mates with DT06-4S.



2

REVISION HISTORY			
REV	DESCRIPTION	DATE	APPROVED
P2-D1	PROTOTYPE	2022-01-11	GDV



**Unit Label**

<small>PROPRIETARY</small> THE INFORMATION CONTAINED IN THIS DRAWING IS CONFIDENTIAL AND PROPRIETARY AND REMAINS THE EXCLUSIVE PROPERTY OF AXIOMATIC TECHNOLOGIES CORPORATION. THIS DRAWING MAY NOT BE USED, REPRODUCED IN WHOLE OR IN PART, NOR REVEALED TO OTHERS WITHOUT THE PRIOR WRITTEN CONSENT OF AXIOMATIC TECHNOLOGIES CORPORATION. BY ACCEPTANCE OF THIS DRAWING, THE BEARER AGREES TO THESE CONDITIONS.				<small>AXIOMATIC TECHNOLOGIES CORPORATION 5915 WALLACE ST. MISSISSAUGA, ON CANADA L4Z 1Z8 905-602-9270</small>			
MATERIAL NA	DRAWN EL	DATE 2022-01-11	TITLE 9-36Vdc / 12Vdc, 18W Isolated Power Converter				
FINISH NA	CHECKED	DATE	DWG REV D1	DWG NO AX082300-MD	PART REV P1		
THIRD ANGLE PROJECTION	TOOL INVENTOR SIZE B	APPROVED	DATE	SCALE 1	PART NO AX082300		
				SHEET 1 of 2			

4

3

2

1

# 9-36Vdc / 12Vdc, 18W Isolated Power Converter

CONNECTOR PIN ASSIGNMENT			
PIN	FUNCTION	PIN	FUNCTION
1	OUT+	3	VIN-
2	VIN+	4	OUT-

PROPRIETARY THE INFORMATION CONTAINED IN THIS DRAWING IS CONFIDENTIAL AND PROPRIETARY AND REMAINS THE EXCLUSIVE PROPERTY OF AXIOMATIC TECHNOLOGIES CORPORATION. THIS DRAWING MAY NOT BE USED, REPRODUCED IN WHOLE OR IN PART, NOR REVEALED TO OTHERS WITHOUT THE PRIOR WRITTEN CONSENT OF AXIOMATIC TECHNOLOGIES CORPORATION. BY ACCEPTANCE OF THIS DRAWING, THE BEARER AGREES TO THESE CONDITIONS.				AXIOMATIC TECHNOLOGIES CORPORATION 5915 WALLACE ST. MISSISSAUGA, ON CANADA L4Z 1Z8 905-602-9270			
MATERIAL NA		DRAWN EL	DATE 2022-01-11	TITLE 9-36Vdc / 12Vdc, 18W Isolated Power Converter			
FINISH NA		CHECKED	DATE	DWG REV D1	DWG NO AX082300-MD	PART REV P1	
THIRD ANGLE PROJECTION	TOOL INVENTOR SIZE B	APPROVED	DATE	SCALE 1	PART NO AX082300	SHEET 2 of 2	