

4

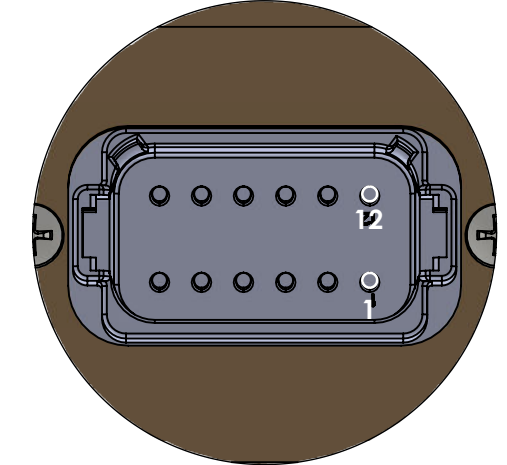
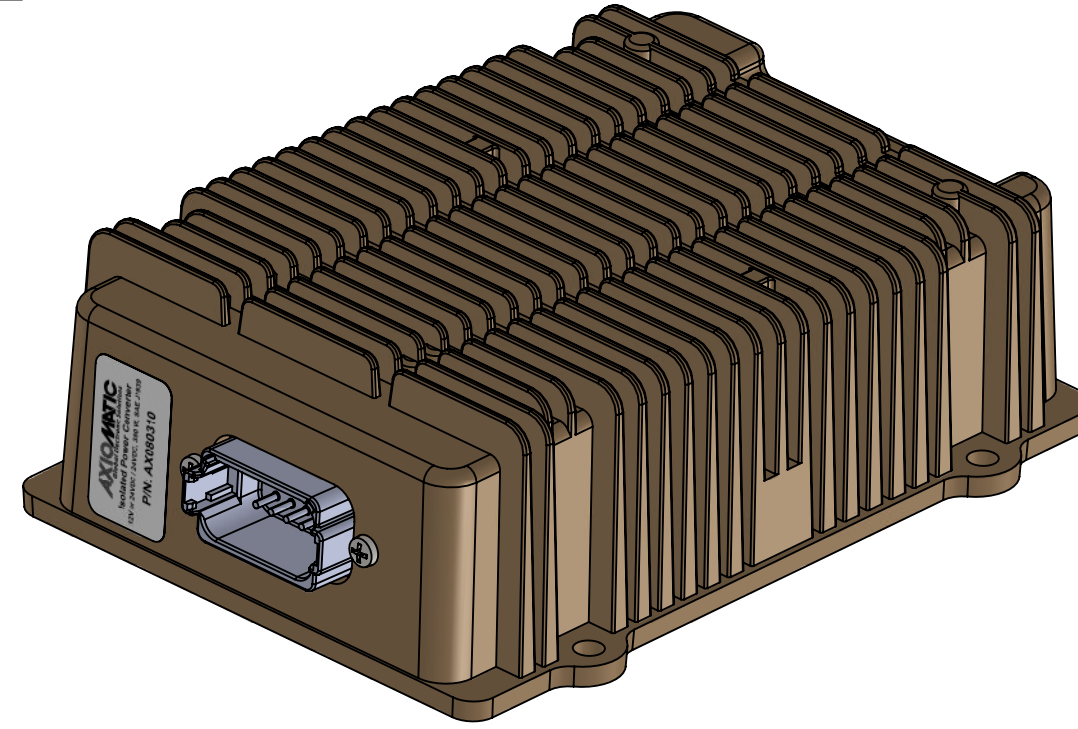
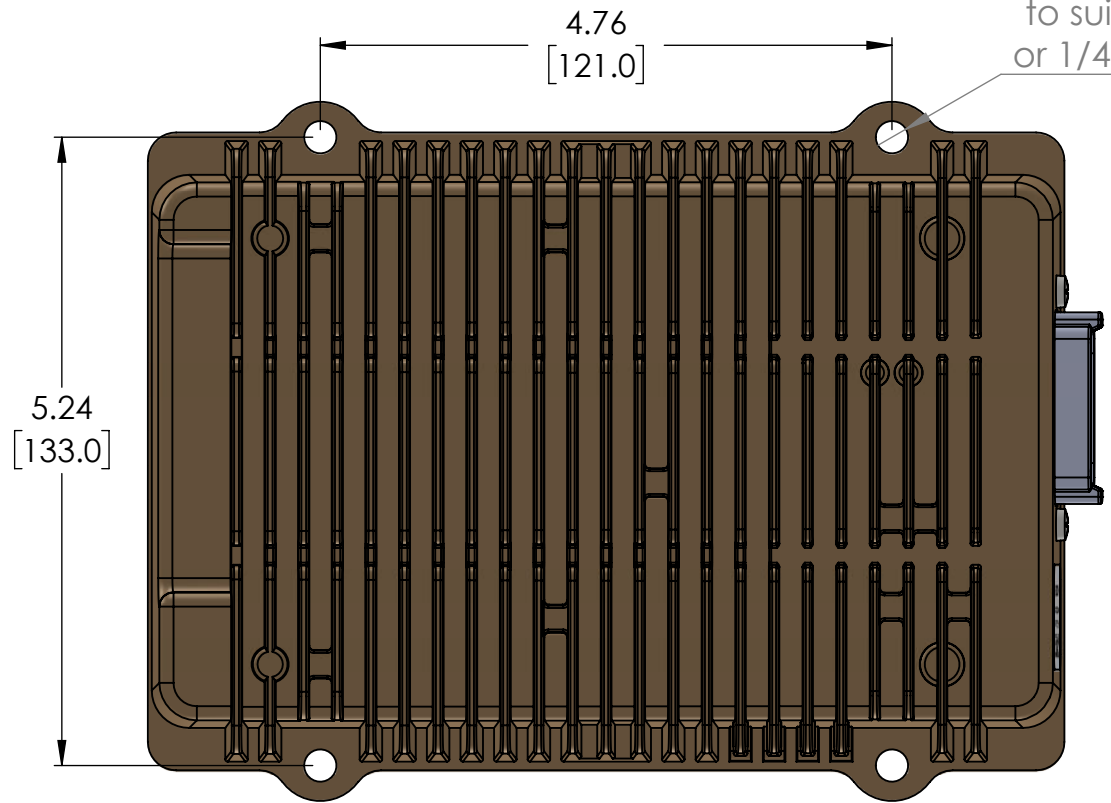
3

2

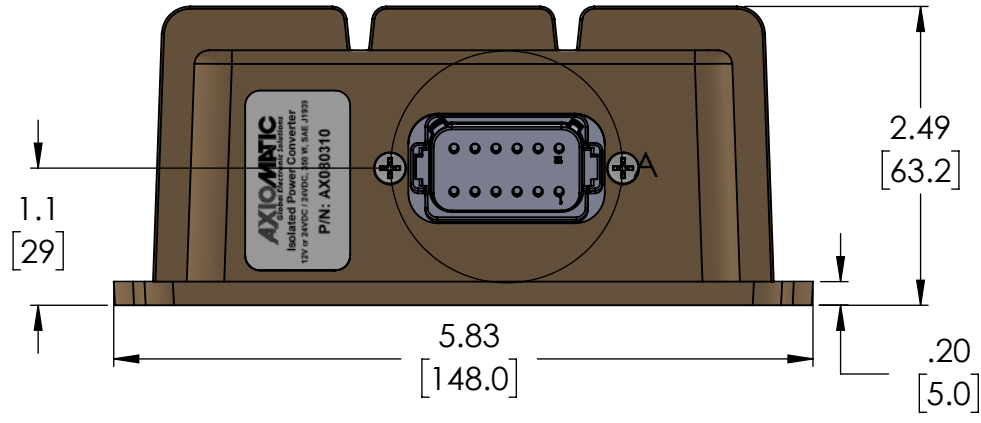
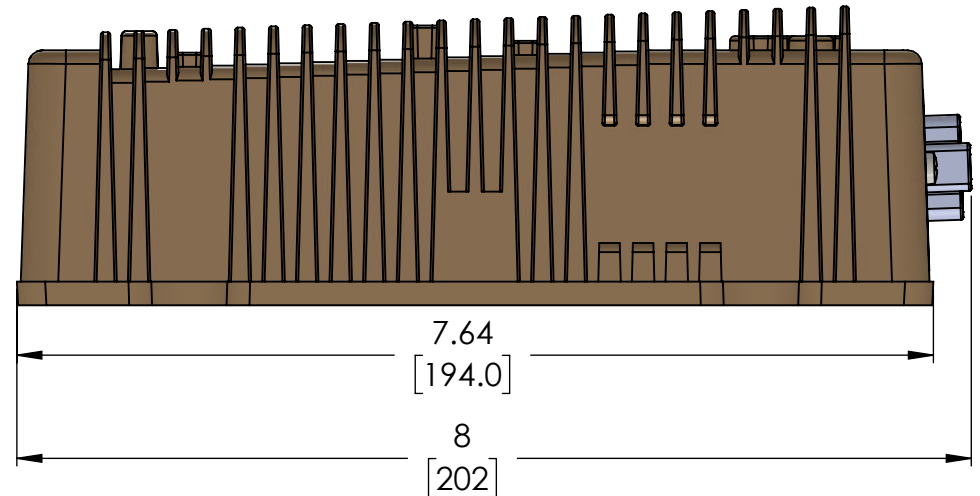
1

REVISIONS					
REV.	DESCRIPTION	DATE	DRAWN	QA	APPROVED
P1-D1	PROTOTYPE	2025-03-12	TF	CM	GDV

Ø0.270  
[6.85]  
to suit an M6  
or 1/4" bolt (4)



**DETAIL A**  
TE Deutsch DT13-12PA  
mates with TE Deutsch DT06-12SA



unit label

<b>PROPRIETARY AND CONFIDENTIAL</b>				AXIOMATIC TECHNOLOGIES CORPORATION 1445 COURTNEY PARK DR E MISSISSAUGA, ON CANADA L5T2E3 905-602-9270		
THE INFORMATION CONTAINED IN THIS DRAWING IS CONFIDENTIAL AND PROPRIETARY AND REMAINS THE EXCLUSIVE PROPERTY OF AXIOMATIC TECHNOLOGIES CORPORATION. THIS DRAWING MAY NOT BE USED, REPRODUCED IN WHOLE OR IN PART, NOR REVEALED TO OTHERS WITHOUT THE PRIOR WRITTEN CONSENT OF AXIOMATIC TECHNOLOGIES CORPORATION. BY ACCEPTANCE OF THIS DRAWING, THE BEARER AGREES TO THESE CONDITIONS.				<b>AXIOMATIC</b> Global Electronic Solutions		
DIMENSIONS ARE IN INCHES [mm]		MATERIAL	DRAWN	DATE	TITLE:	
UNLESS OTHERWISE SPECIFIED IN DRAWING TOLERANCE ON:		FINISH	TF	2025-03-12	12/24VDC ISOLATED POWER CONVERTER WITH CAN, 350W	
X.XXX [X.X] ±0.005 [0.13]		THIRD ANGLE PROJECTION	QA	DATE	DWG REV	DWG NO
X.XX [X.X] ±0.01 [0.25]			TOOL SOLIDWORKS	APPROVED	DATE	D1
X.XX [X.X] ±0.04 [1.00]		SIZE <b>B</b>				PART REV
ANGLES ±1.0°						SCALE
Others follow ISO 2768-2, tolerance class K					1:2	AX080310
					SHEET	SHEET 1 OF 1

4

3

2

1