

4

3

2

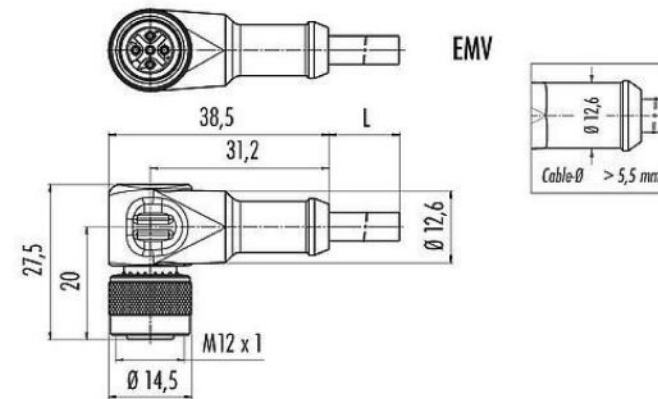
1

REVISIONS			
REV.	DESCRIPTION	DATE	APPROVED
PI-D1	initial release	2024-11-20	GDV

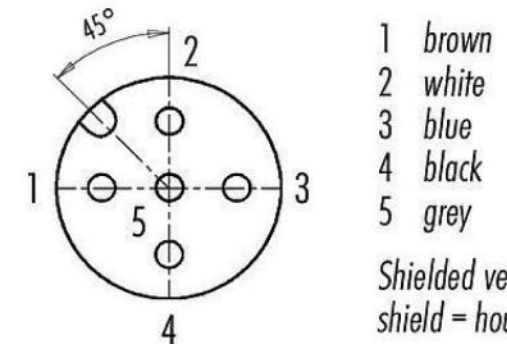
Illustration



Scale drawing



Contact arrangement (Plug-in side)



PROPRIETARY AND CONFIDENTIAL				<small>AXIOMATIC TECHNOLOGIES CORPORATION 1445 COURTNEY PARK DR E MISSISSAUGA, ON CANADA L5T2E3 905-602-9270</small>			
<small>THE INFORMATION CONTAINED IN THIS DRAWING IS CONFIDENTIAL AND PROPRIETARY AND REMAINS THE EXCLUSIVE PROPERTY OF AXIOMATIC TECHNOLOGIES CORPORATION. THIS DRAWING MAY NOT BE USED, REPRODUCED IN WHOLE OR IN PART, NOR REVEALED TO OTHERS WITHOUT THE PRIOR WRITTEN CONSENT OF AXIOMATIC TECHNOLOGIES CORPORATION. BY ACCEPTANCE OF THIS DRAWING, THE BEARER AGREES TO THESE CONDITIONS.</small>						TITLE: gigabit ethernet power cable	
<small>DIMENSIONS ARE IN INCHES [mm]</small>		MATERIAL	DRAWN	DATE	<small>TITLE:</small> gigabit ethernet power cable		
<small>UNLESS OTHERWISE SPECIFIED IN DRAWING TOLERANCE ON:</small>		FINISH	TF	2024-11-20	<small>DWG REV</small> D1		
<small>X.XXX ±0.005 X.XX ±0.01 X.X ±0.1 ANGLES ±1.0° Others follow ISO 2768-2, tolerance class K</small>		THIRD ANGLE PROJECTION	TOOL	CHECKED	DATE	<small>DWG NO</small> AX070169-MD	
			SOLIDWORKS	APPROVED	DATE	<small>PART REV</small> P1	
		SIZE	B			<small>SCALE</small> 1:20	
						<small>PART NO</small> AX070169	
						<small>SHEET</small> SHEET 1 OF 1	

4

3

2

1