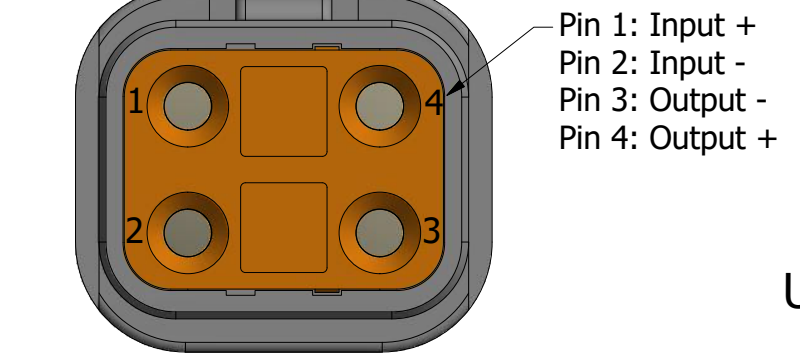
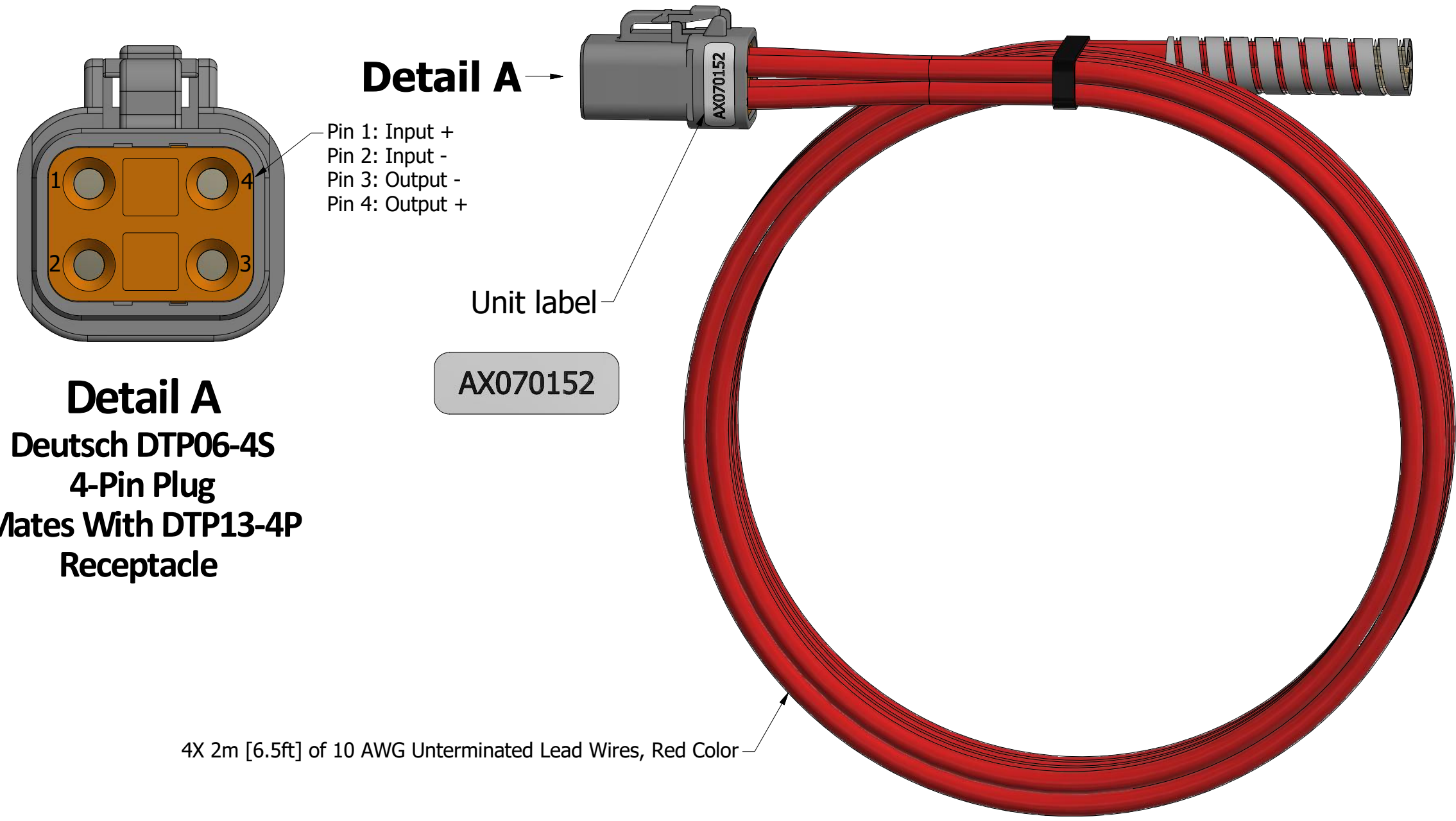


REVISION HISTORY			
REV	DESCRIPTION	DATE	APPROVED
R1-D1	PRODUCTION PILOT	2021-08-26	GDV



Pin 1: Input +  
 Pin 2: Input -  
 Pin 3: Output -  
 Pin 4: Output +

**Detail A**  
**Deutsch DTP06-4S**  
**4-Pin Plug**  
**Mates With DTP13-4P**  
**Receptacle**

Unit label  
 AX070152

4X 2m [6.5ft] of 10 AWG Underterminated Lead Wires, Red Color

DIMENSIONS ARE IN INCHES UNLESS OTHERWISE SPECIFIED IN DRAWING TOLERANCE ON:		MATERIAL NA		DRAWN AZ	DATE 2020-05-05	TITLE <b>DEUTSCH DTP06-4S 4-PIN PLUG,          WIRE HARNESS ASSEMBLY</b>				
FABRICATION X.XXX ± 0.015 X.XX ± 0.01 X.X ± 0.1 ANGLES ± 1.0		MACHINING X.XXX ± 0.005 X.XX ± 0.01 X.X ± 0.1 ANGLES ± 1.0		FINISH NA		CHECKED TF	DATE 2020-05-06	DWG REV D1	DWG NO AX070152-MD	PART REV R1
		THIRD ANGLE PROJECTION		INVENTOR SIZE B	APPROVED GDV	DATE 2020-05-06	SCALE 1:1	PART NO AX070152	SHEET 1 of 1	



PROPRIETARY  
 THE INFORMATION CONTAINED IN THIS DRAWING IS CONFIDENTIAL AND PROPRIETARY AND REMAINS THE EXCLUSIVE PROPERTY OF AXIOMATIC TECHNOLOGIES CORPORATION. THIS DRAWING MAY NOT BE USED, REPRODUCED IN WHOLE OR IN PART, NOR REVEALED TO OTHERS WITHOUT THE PRIOR WRITTEN CONSENT OF AXIOMATIC TECHNOLOGIES CORPORATION. BY ACCEPTANCE OF THIS DRAWING, THE BEARER AGREES TO THESE CONDITIONS.