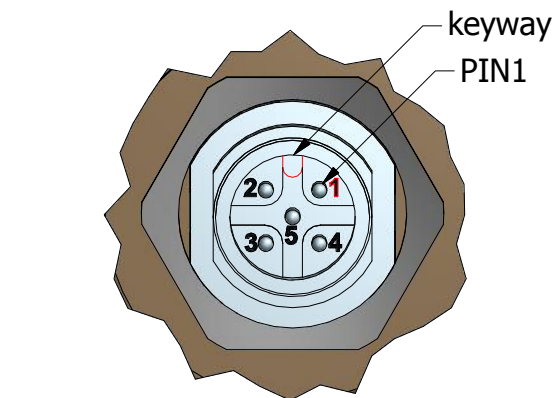
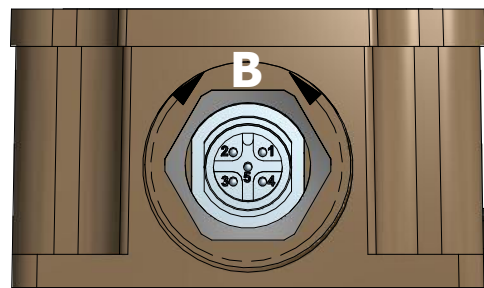
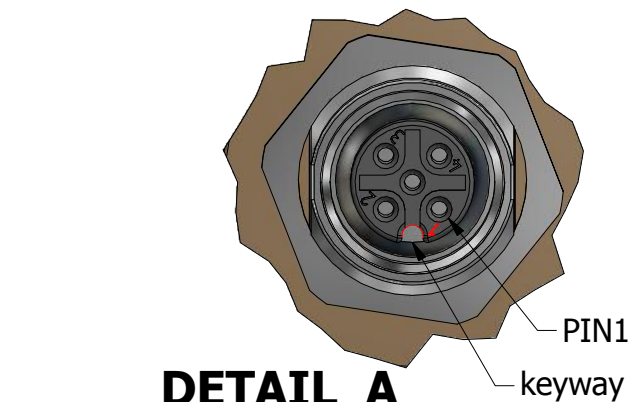
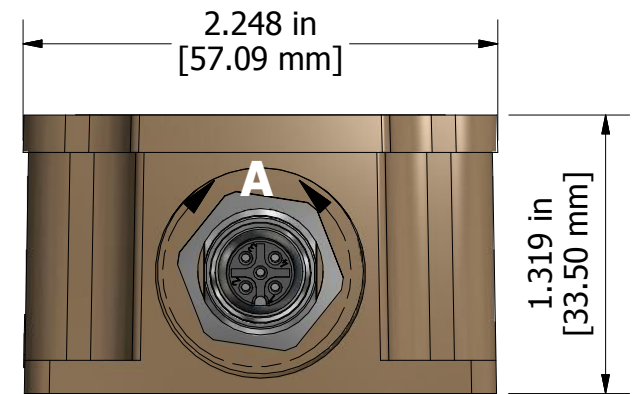
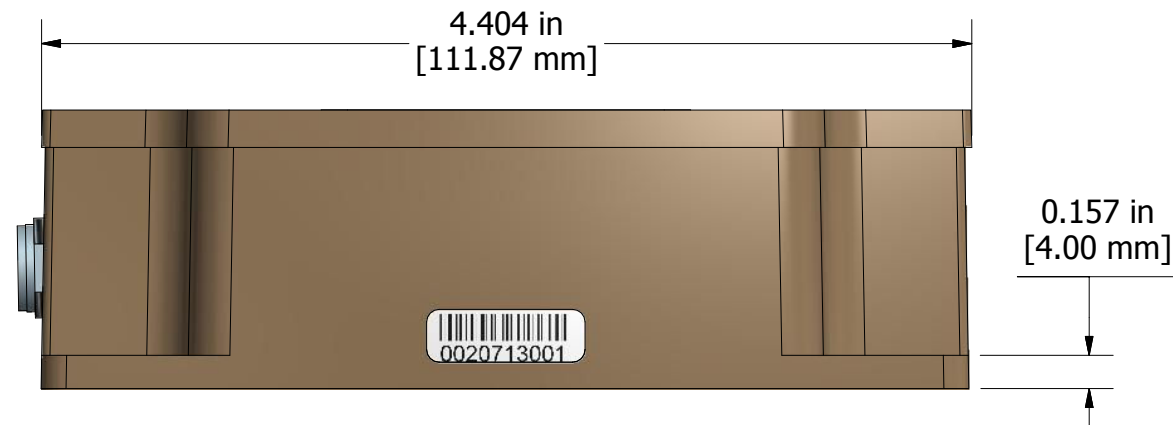


unit label



DETAIL B
5 pin A coded M12
male input connector



DETAIL A
5 position A coded M12
female output connector

TOLERANCES			
fabrication		machining	
X.XXX	+/- 0.015	X.XXX	+/- 0.005
X.XX	+/- 0.031	X.XX	+/- 0.010
X.X	+/- 0.031	X.X	+/- 0.015
fractional	+/- 0.031	fractional	+/- 0.031

MATERIAL
hard anodized
aluminum
housing, EPDM
gasket

DRAWN	DATE
TF	11/20/2017
CHECKED	DATE
APPROVED	DATE

<small>PROPRIETARY</small> THE INFORMATION CONTAINED IN THIS DRAWING IS CONFIDENTIAL AND PROPRIETARY AND REMAINS THE EXCLUSIVE PROPERTY OF AXIOMATIC TECHNOLOGIES CORPORATION. THIS DRAWING MAY NOT BE USED, REPRODUCED IN WHOLE OR IN PART, NOR REVEALED TO OTHERS WITHOUT THE PRIOR WRITTEN CONSENT OF AXIOMATIC TECHNOLOGIES CORPORATION. BY ACCEPTANCE OF THIS DRAWING, THE BEARER AGREES TO THESE CONDITIONS.			
AXIOMATIC TECHNOLOGIES CORPORATION 5915 WALLACE ST. MISSISSAUGA, ON CANADA L4Z1Z8 905-602-9270			
TITLE High Precision Triaxial Inclinometer, Vertical Mount, J1939			
DWG REV	DWG NO	PART REV	
D1	AX060838-MD	A	
SCALE	PART NO	SHEET	
full	AX060838	1 of 1	