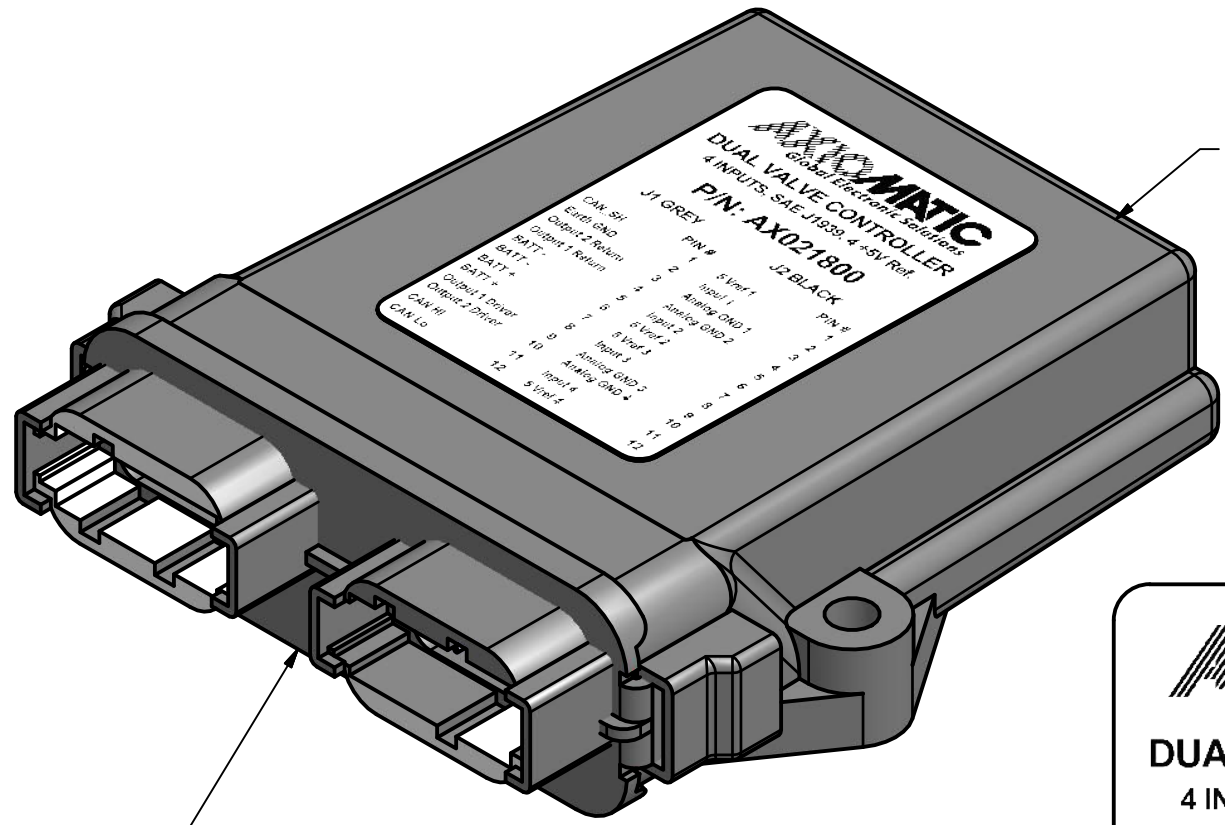


**AXIOMATIC**  
Global Electronic Solutions

**DUAL VALVE CONTROLLER**  
4 INPUTS, SAE J1939, 4 +5V Ref.

**P/N: AX021800**

J1 GREY		J2 BLACK	
	PIN #		PIN #
CAN_SH	1	5 Vref 1	1
Earth GND	2	Input 1	2
Output 2 Return	3	Analog GND 1	3
Output 1 Return	4	Analog GND 2	4
BATT -	5	Input 2	5
BATT -	6	5 Vref 2	6
BATT +	7	5 Vref 3	7
BATT +	8	Input 3	8
Output 1 Driver	9	Analog GND 3	9
Output 2 Driver	10	Analog GND 4	10
CAN Hi	11	Input 4	11
CAN Lo	12	5 Vref 4	12



**AXIOMATIC**  
Global Electronic Solutions

**DUAL VALVE CONTROLLER**  
4 INPUTS, SAE J1939, 4 +5V Ref.

**P/N: AX021800**

J1 GREY		J2 BLACK	
	PIN #		PIN #
CAN_SH	1	5 Vref 1	1
Earth GND	2	Input 1	2
Output 2 Return	3	Analog GND 1	3
Output 1 Return	4	Analog GND 2	4
BATT -	5	Input 2	5
BATT -	6	5 Vref 2	6
BATT +	7	5 Vref 3	7
BATT +	8	Input 3	8
Output 1 Driver	9	Analog GND 3	9
Output 2 Driver	10	Analog GND 4	10
CAN Hi	11	Input 4	11
CAN Lo	12	5 Vref 4	12

**label detail**

<small>PROPRIETARY</small> THE INFORMATION CONTAINED IN THIS DRAWING IS CONFIDENTIAL AND PROPRIETARY AND REMAINS THE EXCLUSIVE PROPERTY OF AXIOMATIC TECHNOLOGIES CORPORATION. THIS DRAWING MAY NOT BE USED, REPRODUCED IN WHOLE OR IN PART, NOR REVEALED TO OTHERS WITHOUT THE PRIOR WRITTEN CONSENT OF AXIOMATIC TECHNOLOGIES CORPORATION. BY ACCEPTANCE OF THIS DRAWING, THE BEARER AGREES TO THESE CONDITIONS.		<small>AXIOMATIC TECHNOLOGIES CORPORATION</small> <b>AXIOMATIC</b> Global Electronic Solutions 5915 WALLACE ST. MISSISSAUGA, ON CANADA L4Z1Z8 905-602-9270											
<b>TOLERANCES</b> <table border="1"> <tr><td>fabrication</td><td>machining</td></tr> <tr><td>X.XXX +/- 0.015</td><td>X.XXX +/- 0.001</td></tr> <tr><td>X.XX +/- 0.031</td><td>X.XX +/- 0.005</td></tr> <tr><td>X.X +/- 0.031</td><td>X.X +/- 0.015</td></tr> <tr><td>fractional +/- 0.031</td><td>fractional +/- 0.031</td></tr> </table>		fabrication	machining	X.XXX +/- 0.015	X.XXX +/- 0.001	X.XX +/- 0.031	X.XX +/- 0.005	X.X +/- 0.031	X.X +/- 0.015	fractional +/- 0.031	fractional +/- 0.031	MATERIAL nylon 6/6 with glass fill FINISH	DRAWN TF DATE 11/19/2012 CHECKED DL DATE APPROVED DL DATE
fabrication	machining												
X.XXX +/- 0.015	X.XXX +/- 0.001												
X.XX +/- 0.031	X.XX +/- 0.005												
X.X +/- 0.031	X.X +/- 0.015												
fractional +/- 0.031	fractional +/- 0.031												
		TITLE Dual Valve Controller, 4 Universal Inputs, SAE J1939	DWG REV D1 DWG NO AX021800-MD-A PART REV A										
		SCALE full	PART NO AX021800 SHEET 1 of 1										